

## NetWaySP4WP

4-port Outdoor Hardened PoE Switch with Integral Power



Altronix NetWaySP4WP Outdoor PoE+ Hardened Switch provides two (2) 1Gb SFP (Fiber) ports and four (4) PoE+ (30W) or two (2) Hi-PoE (60W) ports, passing data for PoE/PoE+/Hi-PoE compliant devices. Cameras/edge devices may be located up to 100m from the unit. Embedded LINQ Technology allows you to monitor, control, and report power and diagnostics from anywhere.



NetWaySP4WP

### Key Features

- Two (2) Gigabit SFP ports
- Four (4) 10/100/1000 Mbps ports
- IEEE 802.3at (30W), IEEE 802.3af (15W) compliant, or Hi-PoE (60W).
- 120W total power:
  - Four (4) PoE/PoE+ (up to 30W) ports or two (2) Hi-PoE (60W) ports
- PoE activity LED indicators
- Automatic switch over to stand-by battery when AC fails
- VLAN (Virtual Local Area Networks) subnetwork allows for the grouping together of devices for improved network traffic and higher security
- NEMA 4/4X, IP66-11 Rated enclosure for outdoor use
- UL Listed in the U.S. and Canada
- CE European Conformity
- Lifetime Warranty

### Similar products

<b>NetWaySP4WPX</b>	Outdoor 4-port PoE+ Hardened Switch in NEMA 4/4X, IP66-11 enclosure which accommodates stand-by batteries
<b>NetWaySP4WP</b>	Outdoor 4-port PoE+ Hardened Switch in NEMA 4/4X, IP66-11 enclosure
<b>NetWaySP4WPN</b>	Outdoor 4-port PoE+ Hardened Switch only in NEMA 4/4X, IP66-11 enclosure
<b>NetWaySP4X</b>	Indoor 4-port PoE+ Hardened Switch in NEMA 1 Rated indoor enclosure
<b>NetWaySP4PL</b>	4-port PoE+ Hardened Switch with Integral Power on a Backplane

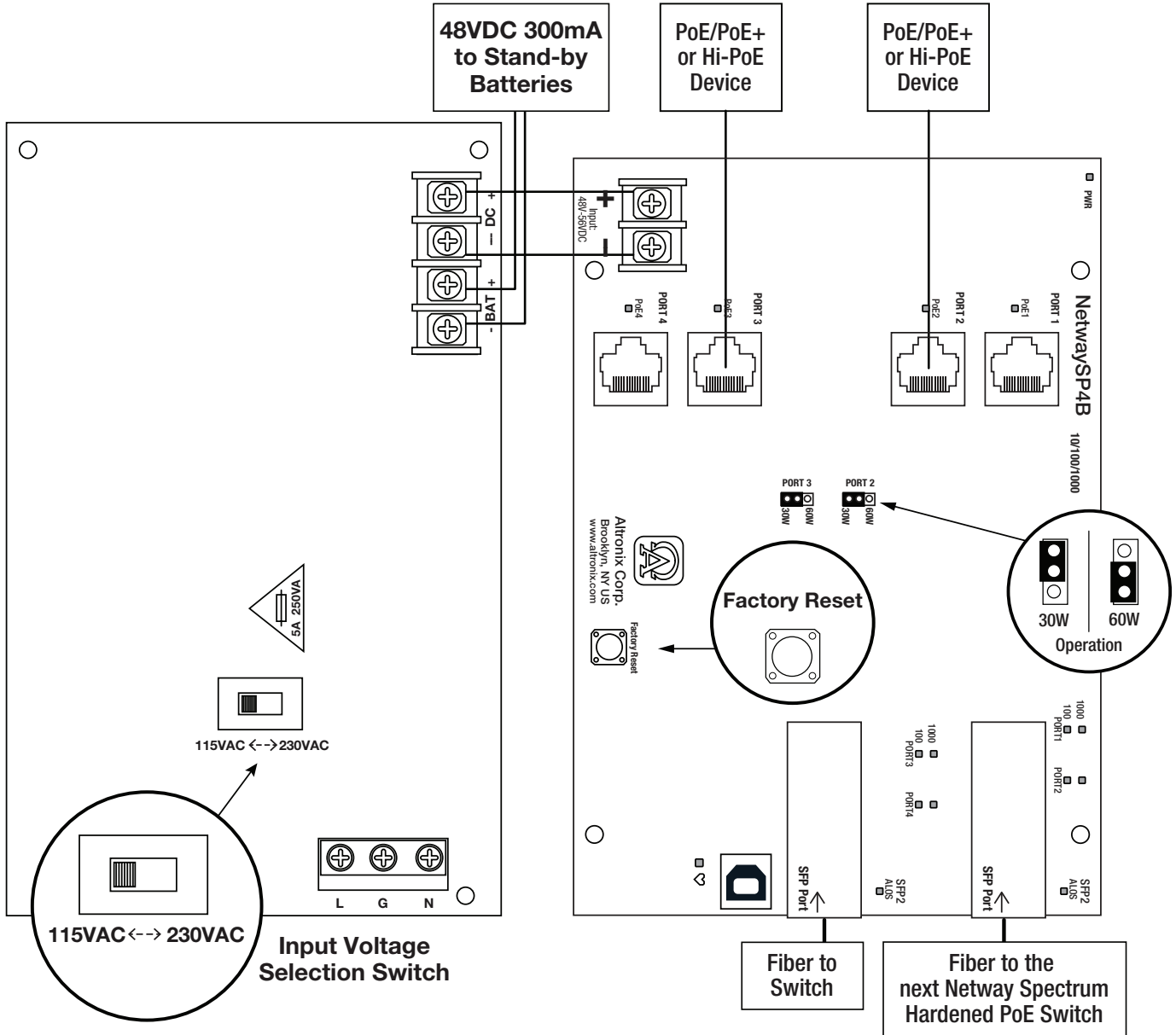
#### Lifetime Warranty

# NetWaySP4WP

4-port Outdoor Hardened PoE Switch with Integral Power



## Typical Application



### Lifetime Warranty

## NetWaySP4WP

4-port Outdoor Hardened PoE Switch with Integral Power



### Specifications

#### Input

Voltage 115VAC, 60Hz, 2.5A or 230VAC, 50/60Hz, 1.3A  
Fusing 5A/250V

#### Power Output

Maximum Power Four (4) PoE+ (30W) ports  
or two (2) Hi-PoE (60W) ports  
IEEE 802.3at (30W) and  
IEEE 802.3af (15W) compliant  
120W total power  
Integral surge protection

#### Fiber Ports:

Two (2) Gigabit SFP ports

#### Ethernet Ports:

Four (4) 10/100/1000 Mbps ports  
Connectivity: RJ45, auto-crossover  
Wire type: 4-pair CAT5 or better structured cable  
Distance: up to 100m.  
Speed: 10/100/1000 Mbps,  
half/full duplex, auto negotiation

#### Back-up Battery (not included)

Type Sealed lead acid or gel type  
Charging Circuit 48VDC, 300mA  
Failover Upon AC loss, instantaneous

#### Indicators (LED)

Individual PoE On LEDs for each port  
Individual IP Link status, 10/100Base-T/active LEDs for each port  
ALOS LED indicates fiber connection for SFP port  
Heartbeat LED indicates proper operation of the unit

#### VLAN:

Multiple management VLAN assignment.  
802.1Q Tagged VLAN. Up to 10 VLAN groups. ID Range 2-4095.

#### LINQ Technology:

Remote network management allows for camera/device reset and monitoring  
Provides local and/or remote access to critical information via LAN/WAN  
Email and Windows Dashboard Alert notifications report  
real-time diagnostics  
Event log tracks history

#### Agency Listings

UL/cUL UL60950-1 (Information Technology Equipment)  
UL60950-22 (Information Technology Equipment  
to be installed Outdoors)  
CE European Conformity

#### Physical and Environmental

Enclosure Dimensions (H x W x D approx.):  
13.31" x 11.31" x 5.59" (338.1mm x 287.3mm x 142mm)  
NEMA 4/4X, IP66-11 Rated enclosure for outdoor use  
Product Weight / Shipping (approx.)  
Product Weight: 10.5 lb. (4.76 kg)  
Shipping Weight: 11.9 lb. (5.4 kg).

#### Temperature

Operating: 60W: -40°C to 75°C (-40°F to 167°F)  
75W: -40°C to 70°C (-40°F to 158°F)  
100W: -40°C to 55°C (-40°F to 131°F)  
120W: -40°C to 45°C (-40°F to 113°F)

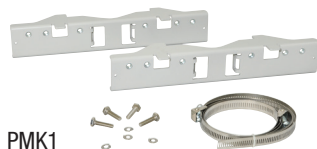
Storage: -40°C to 85°C (-40°F to 185°F)

Relative Humidity: 85% +/-5%

BTU/Hr. (approx.): 61 BTU/Hr.

Operating Altitude: -304.8 to 2,000m

### Accessories (order separately)



PMK1

#### PMK1 - Pole Mount Kit

PMK1 pole mount kit is designed to simplify installation of outdoor units.  
It accommodates 2" - 8" (diameter) poles.



#### SFP Modules - Hot pluggable Transceivers

**P1MM** Multi-Mode SFP Module for distances up to 550m.

**P1SM10** Single-Mode SFP Module for distances up to 10km.

**P1AB2K** Single Strand SFP Module for distances up to 2km.

**P1GCE** Copper SFP Module for distances up to 100m.



NetWaySP1A

#### NetWaySP1A - Ethernet over Fiber Media Converter/Repeater for applications requiring an additional SFP (Fiber) Port

NetWaySP1A PoE powered media converter/repeater converts 10/100/1000 Mbps to Fiber (1000Base-X/SX/LX).

#### Lifetime Warranty